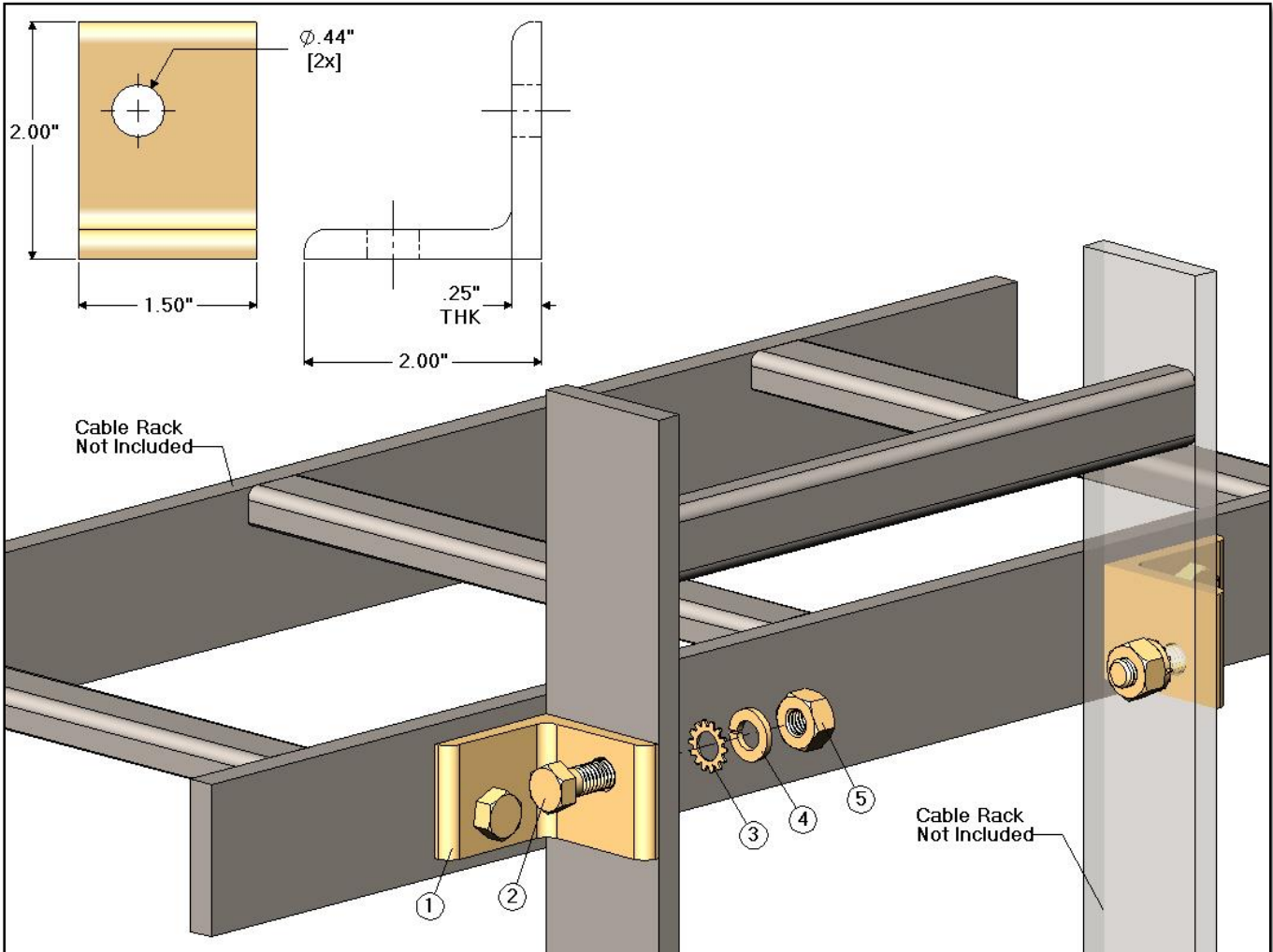




## ACR8101 - Vertical C/R to Horizontal C/R Attachment Kit



## ACR8101 - Vertical C/R to Horizontal C/R Attachment Kit

Item	CSF P/N#	QTY	Description
1	A2251	2	Structural Angle 1/4" THK
2	HH1006	4	3/8-16 HHCS x 1.25" Length
3	LWE156	4	3/8" External Tooth Lock Washer
4	LW156	4	3/8" Spring Lock Washer
5	HN146	4	3/8-16 Hex Nut

### Notes :

- Cable Racks will need to be drill at location.
- Cable Racks - Not Included
- All Hardware is zinc yellow.

Specifications subject to change. Please contact CSF Customer Service for more information.