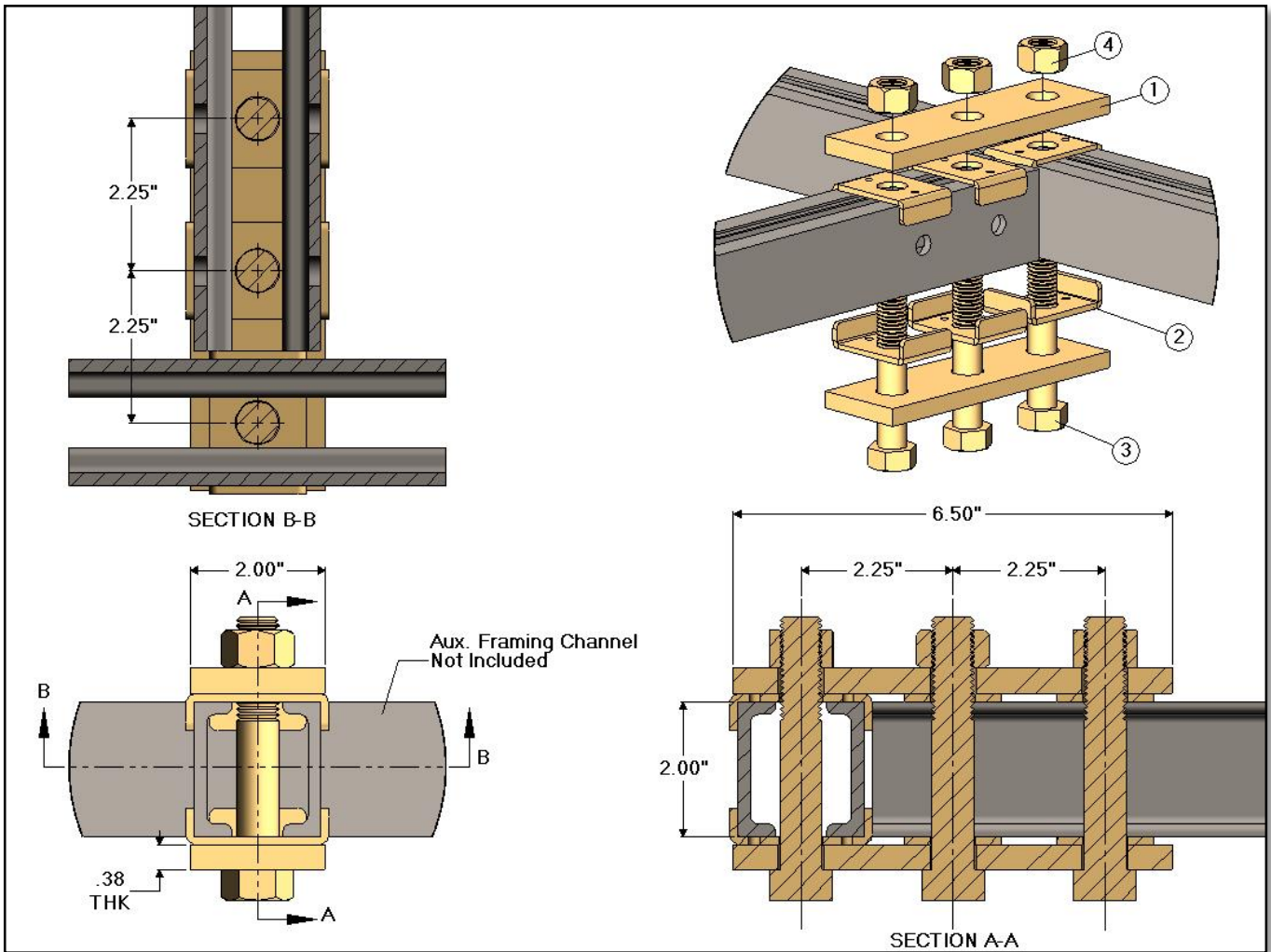




AFJ2402 - Aux. Framing Channel "T" Junction - 5/8" Hardware



AFJ2402 - Aux. Framing Channel "T" Junction - 5/8" Hardware

Item	CSF P/N#	QTY	Description
1	A6179	2	Aux. Framing Channel Junction Bracing Bar
2	FC316	6	Framing Clip
3	HH1212	3	5/8-11 HHCS x 3.75" Length
4	HN148	3	5/8-11-UNC-2B - Hex Nut

Note:

- Aux. Framing Channel - Not Included
- Hardware finish is zinc yellow

Specifications subject to change. Please contact CSF Customer Service for more information.